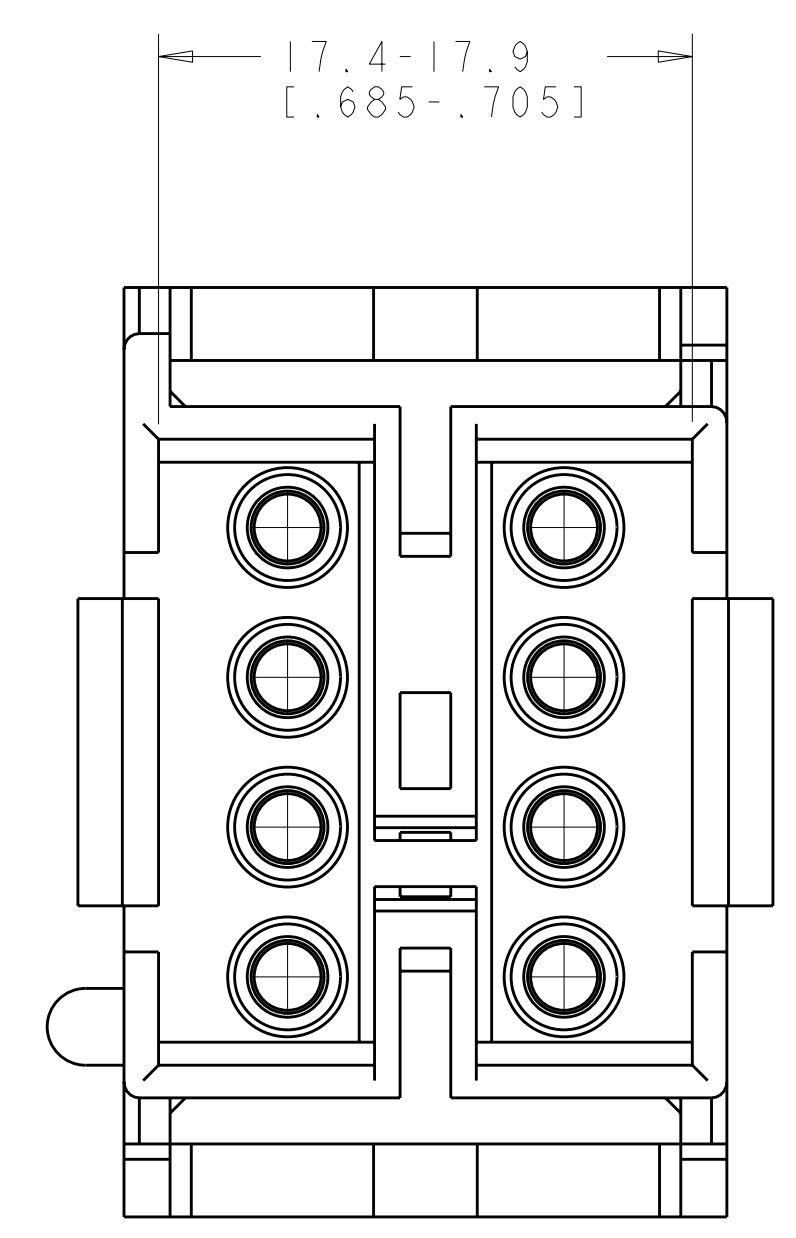
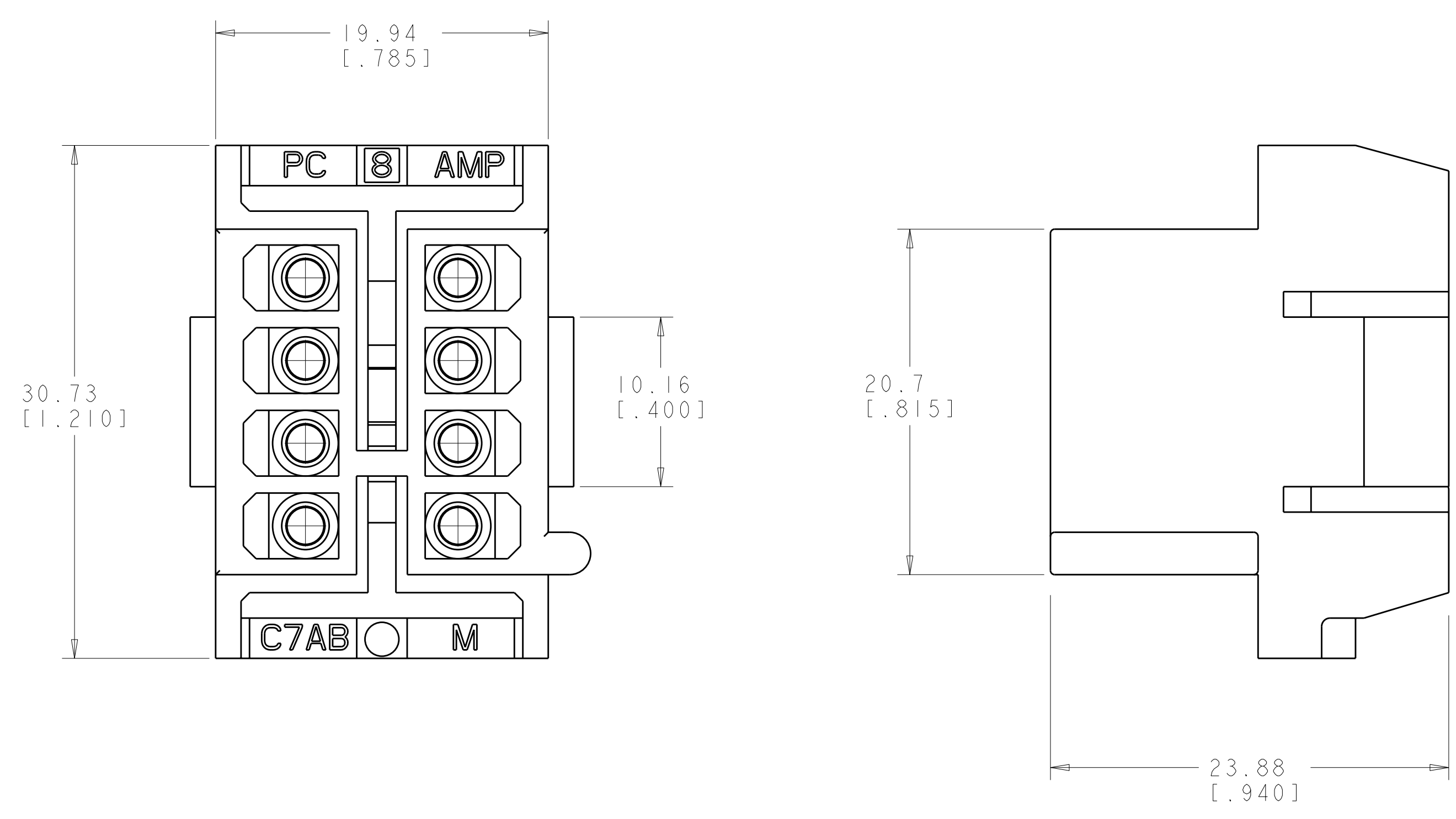
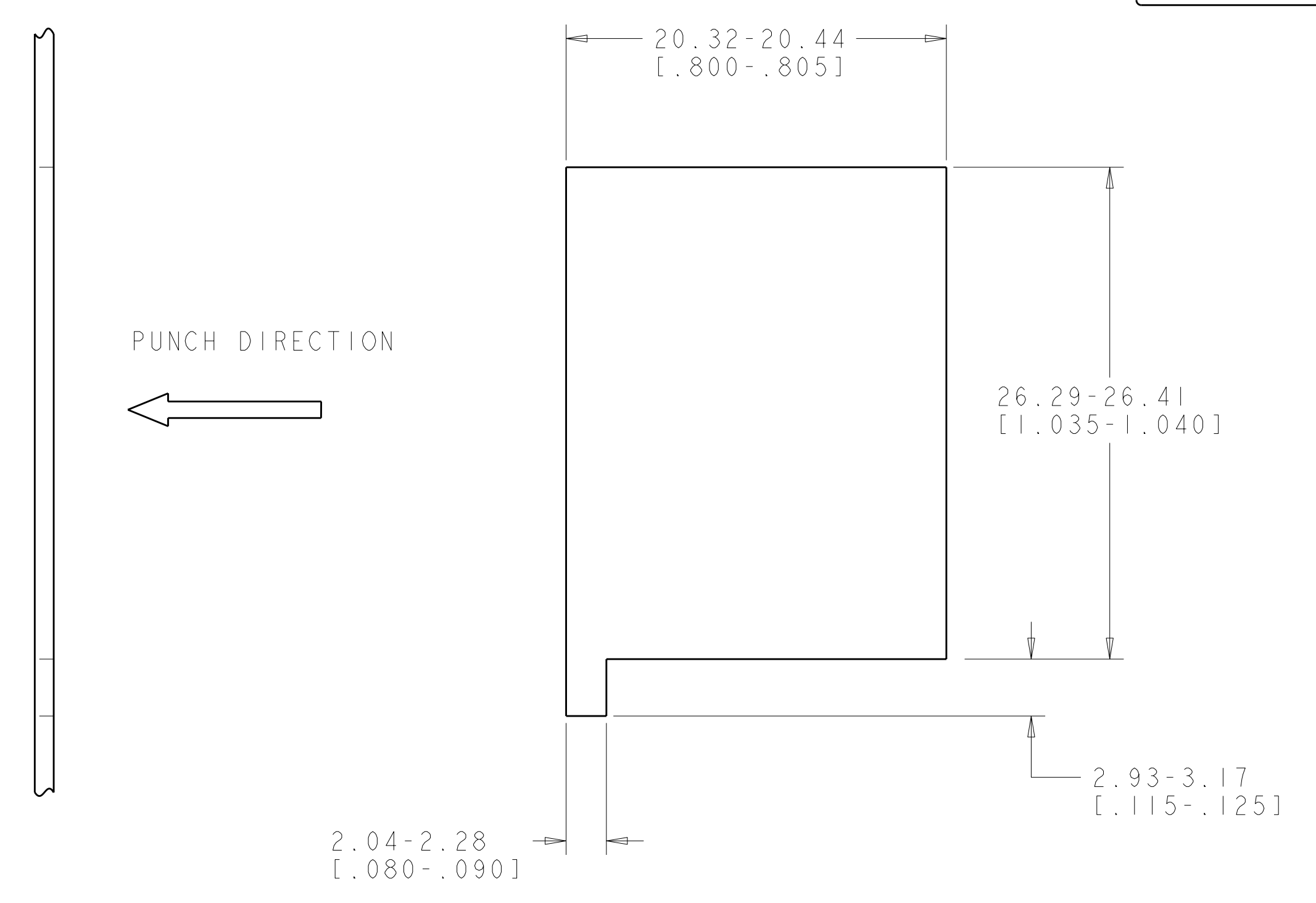
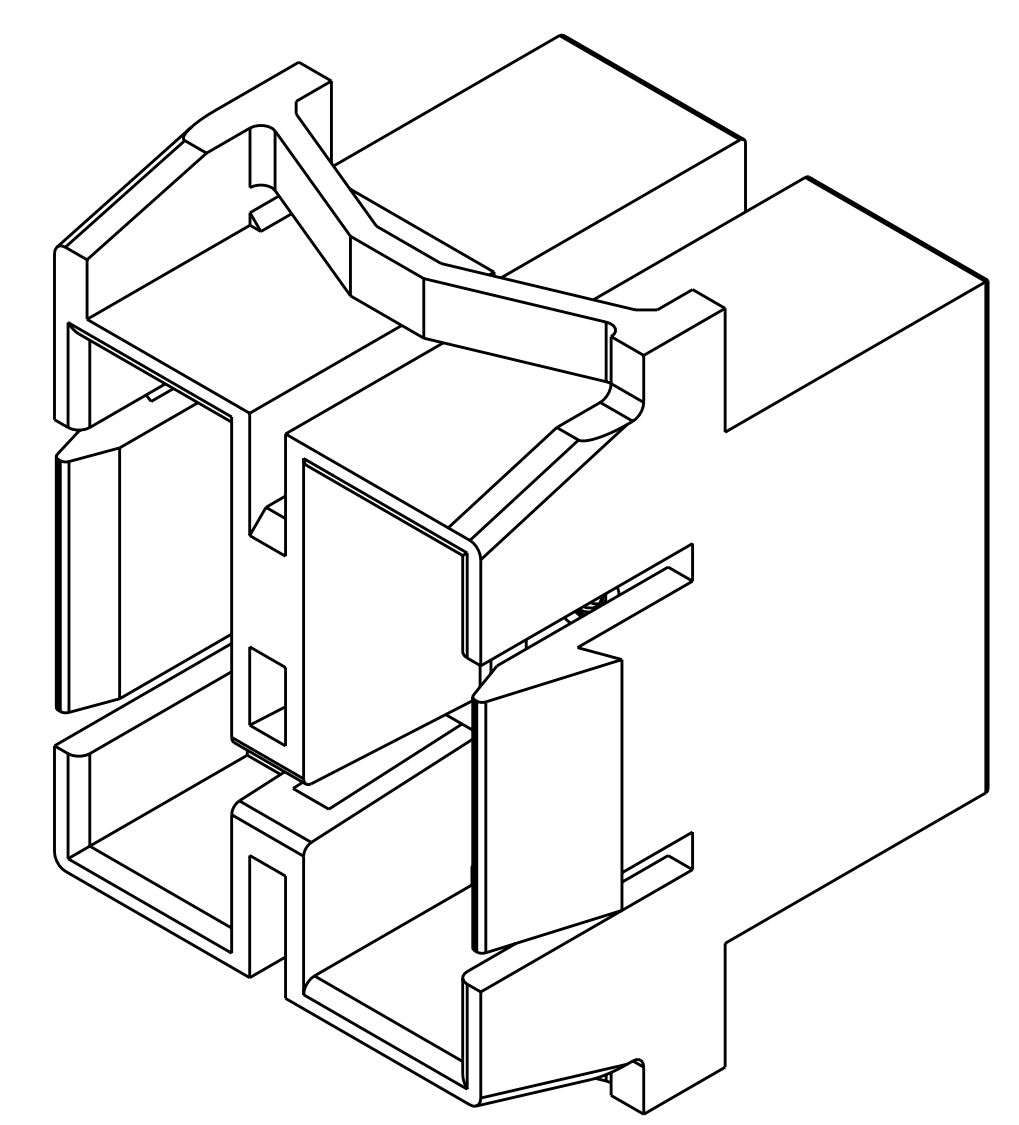
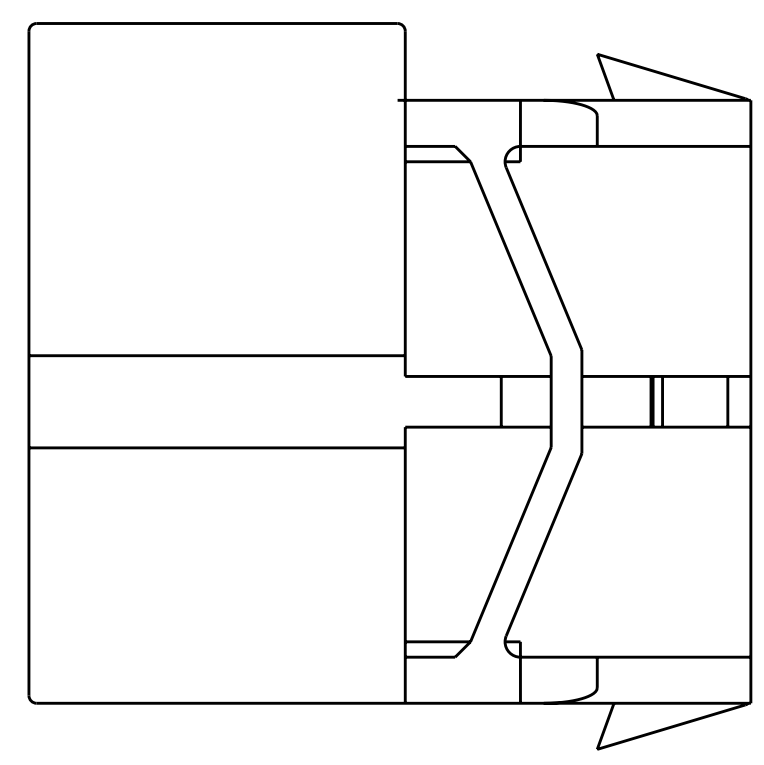


LOC	DIST	REVISIONS					
		P	LTB	DESCRIPTION	DATE	DWN	APVD
CM	00	K		REVISED PER ECO-07-012587	31MAY2007	KW	CC



1. USE TERMINALS 61208, 61209, 61212, 61213.
2. MATES WITH PLUG 480374.
3. PANEL MUST BE PINCHED SO THAT THE HOUSING ENTERS THE PANEL IN THE SAME DIRECTION AS THE PUNCH.



RECOMMENDED MOUNTING HOLE
 FOR PANEL THICKNESS 0.51-1.52 [.020-.060]

0.291 IN ³	NYLON, BLACK	1-480373-1
0.291 IN ³	NYLON, NATURAL	1-480373-0
VOLUME	MATERIAL	PART NUMBER

<small>THIS DRAWING IS UNPUBLISHED. RELEASED FOR PUBLICATION BY TYCO ELECTRONICS CORPORATION. ALL RIGHTS RESERVED. THIS DRAWING IS UNPUBLISHED. RELEASED FOR PUBLICATION BY TYCO ELECTRONICS CORPORATION. ALL RIGHTS RESERVED.</small>		DWN K. WHITAKER 31MAY2007	Tyco Electronics Harrisburg, PA 17105-3608	
DIMENSIONS: mm [INCHES]		CHK C. CASH 31MAY2007	NAME CAP, 8 CIRCUIT, AUTOMOTIVE MATE-N-LOK(TM)	
TOLERANCES UNLESS OTHERWISE SPECIFIED: 0 PLC ± 1 PLC ±0.38 (1.015) 2 PLC ± 3 PLC ± 4 PLC ± ANGLES ±1°		APVD C. CASH 31MAY2007	PRODUCT SPEC	
MATERIAL SEE TABLE		FINISH	APPLICATION SPEC	
		WEIGHT	RESTRICTED TO	
		CUSTOMER DRAWING	SCALE 4:1 SHEET 1 OF 1 REV K	

